

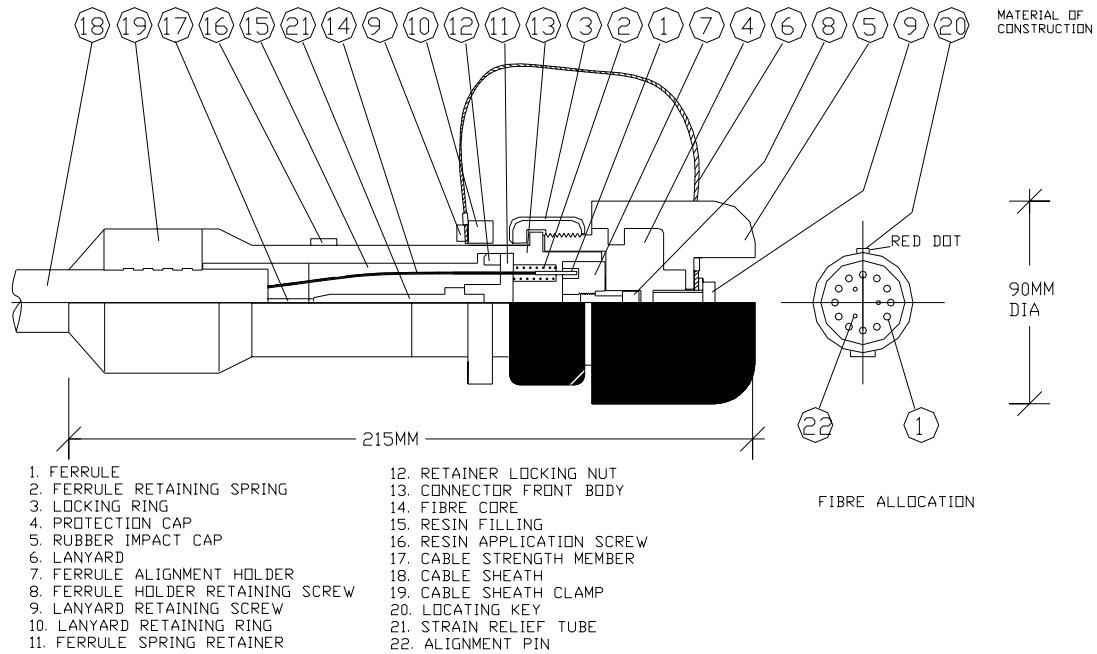


12 WAY HARSH ENVIRONMENT CONNECTOR

The NFI 12 way connector is a harsh environment 12 fibre singlemode, multimode or composite connector. It was designed specifically for use on FPSO turrets but is suitable for any marine or corrosive environment. It is available as male or female and flange or free mounted.

The connector consists of a 316 grade stainless steel body with brass blind cap. The female connector bodies are coated with a revolutionary Nickel Composite which combines the accuracy of electroless nickel with the excellent sliding properties of PTFE. This completely overcomes any problems of galling or wear which can otherwise result from repeated mating. Male connector dust caps are Electroless Nickel coated, and are available with a rugged rubber over cap to eliminate impact damage.





CONNECTOR SPECIFICATIONS

Body:	316 stainless steel - Nickel Composite coated
Dust Cap:	Electroless Nickel coated Bronze
Ferrules:	Full ceramic FC singlemode
Fibre:	8/125, 50/125, 62.5/125µm or composite
Alignment Sleeves:	Phosphor bronze "C" type
Fibre Allocation:	Fibres 1 –12 Customer specific
Termination:	Connectors are supplied pre-terminated on tails